

2D IMAGING



Industry-leading 2D X-ray units

Explore our world-class range of 2D imaging equipment – offering the most advanced and versatile features and software to meet all your 2D extraoral and intraoral imaging needs.



Planmeca Viso® 2D

Planmeca ProOne®



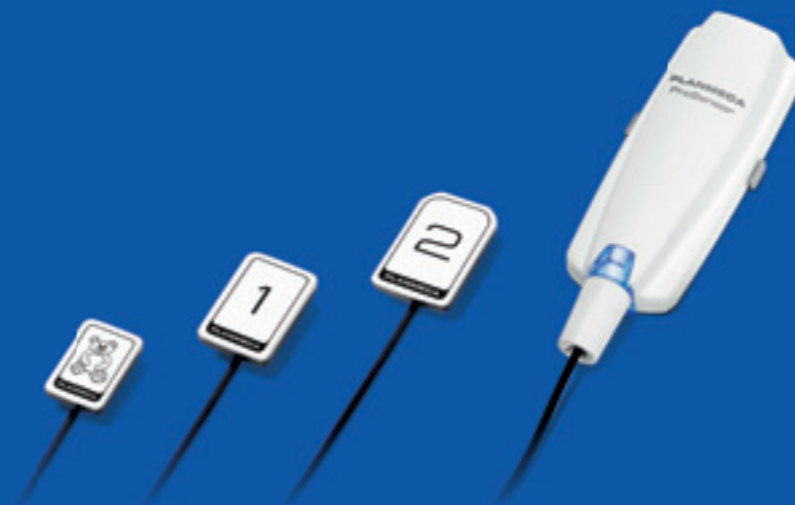
Planmeca ProMax® 2D



Planmeca ProX™



Planmeca ProX™ GO



Planmeca ProSensor® HD



Planmeca ProScanner® 2.0

Planmeca ProSensor® HD

Innovative intraoral sensor

Our innovative **Planmeca ProSensor® HD** intraoral sensor offers a unique combination of unparalleled image quality, patient-centred design, and usability. The sensor has been designed to last and provides durability that can be counted on.

Cutting-edge image quality

With a true resolution of over 20 lp/mm, **Planmeca ProSensor® HD** offers real HD image quality. Supporting detailed diagnosis, the advanced imaging sensor with a fibre-optic layer captures sharp, low-noise and high contrast images. The wide dynamic range of the sensor ensures successful results each and every time.

Patient-centred design

To fulfill all intraoral imaging needs, Planmeca ProSensor HD is available in three different sizes. The rounded sensor edges make procedures comfortable for patients, with outstanding images ready in a matter of seconds.

Next-level usability with Planmeca ProX™

The seamless integration of Planmeca ProSensor HD with the **Planmeca ProX™** intraoral X-ray unit ensures convenience and efficiency at every step. The sensor is easy to connect using just one hand.

With Planmeca ProX, the patient dose and exposure parameters can be automatically recorded in Planmeca ProSensor HD images for quality assurance purposes.

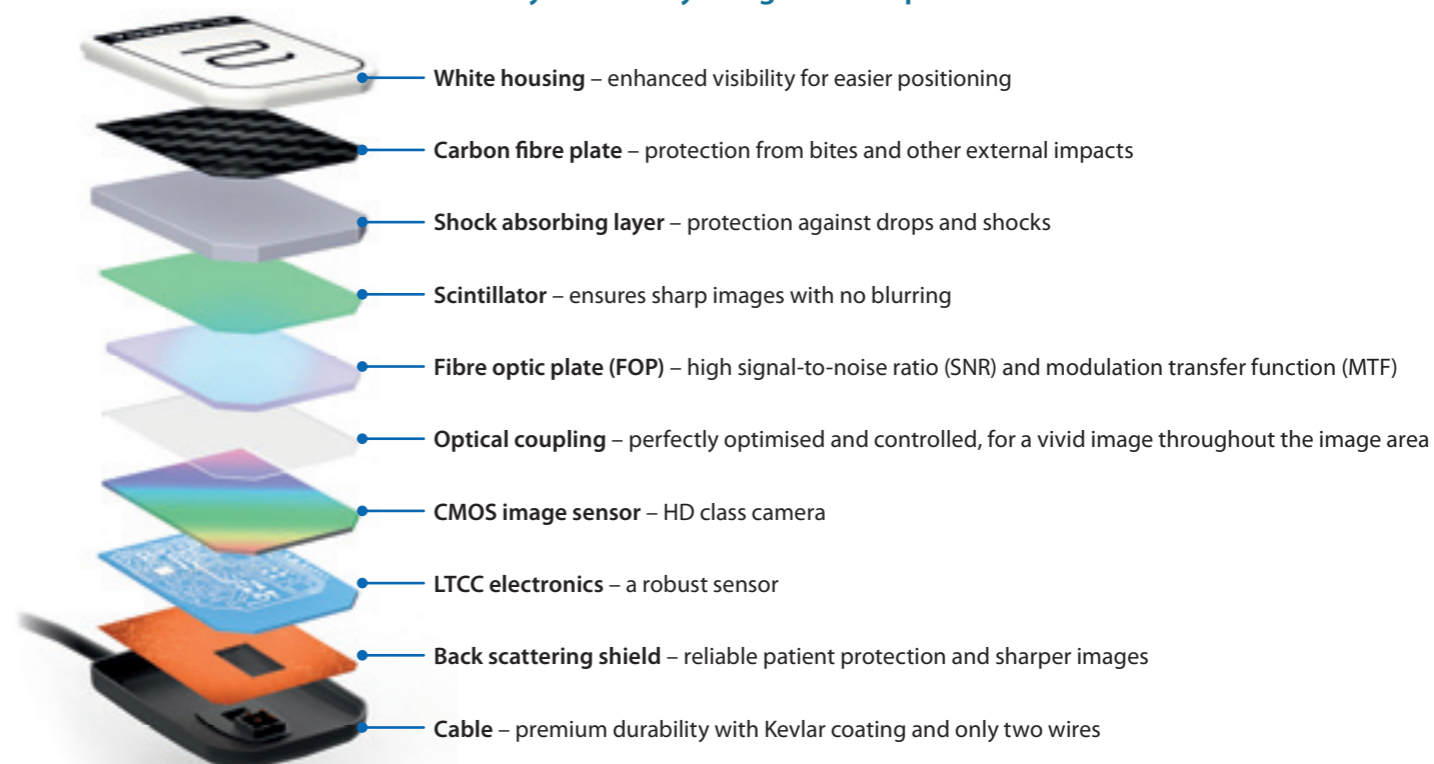
High-end usability

The intraoral sensor's magnetic connector makes it easy to attach, with its white colour enhancing visibility to further ease positioning. The sensor's elegant control box is equipped with a colour-coded LED light that provides instant visual feedback of the imaging procedure, while its hermetically sealed housing ensures effective infection control.

Carefree choice

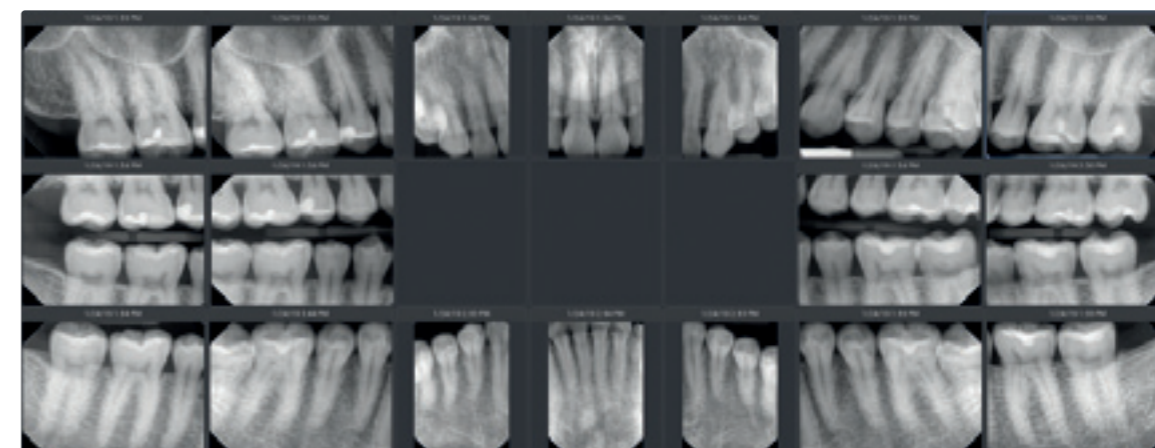
Intraoral sensors are naturally subject to wear and tear in daily use, but Planmeca ProSensor HD has been built to last. The sensor's carbon fibre plate prevents bite marks, its shock protection layer guards against minor damage, and its strengthened cable further improves durability.

Each layer carefully designed – for perfect results



Planmeca ProSensor® HD in a nutshell

- True resolution of over 20 lp/mm
- Sharp and low-noise images with high contrast
- Wide dynamic range
- Three sensor sizes with rounded edges
- Magnetic connector for ease of use
- Colour-coded LED light on control box for instant visual feedback
- Integration with the Planmeca ProX intraoral X-ray unit
- Automatic image parameter recording with Planmeca ProX
- Fully compatible with Windows and Mac
- Ethernet and USB versions available
- Five-year warranty program – two years upon registering the product with the opportunity to purchase three additional years



Planmeca Romexis® – one software for all your needs



We offer a revolutionary all-in-one software solution for clinics of all sizes. Our unique Planmeca Romexis® software supports all types of dental imaging – from 2D and 3D to CAD/CAM – and offers an extensive range of tools for all specialities and specialists. All patient images are available in one easy-to-use user interface and stored in one database. By seamlessly integrating artificial intelligence, Romexis optimises daily tasks and boosts patient communication.



- 2D imaging
- 2D cephalometry
- 3D imaging
- 3D cephalometry
- 3D implantology
- AI
- CAD/CAM
- Ortho simulation
- CMF surgery
- Smile design



Mac* and Windows compatible



*Some features only supported in Windows operating systems.

High-performance 2D imaging

Our advanced Planmeca Romexis® software platform offers the most versatile tools for 2D imaging. Diagnose images using our full range of enhancement tools – or view them wherever you are with our mobile apps. This flexible dental imaging software adapts to your needs and will grow into the third dimension together with your practice.

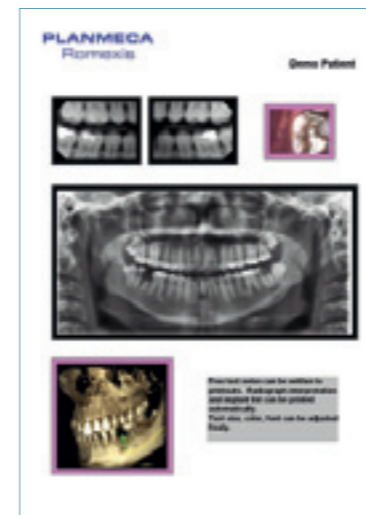


Easy and powerful

Planmeca Romexis® is the software of choice for viewing and processing 2D images from Planmeca X-ray units. Powerful enhancement and analysis tools help users in all specialities reach accurate diagnoses, while the intuitive interface guarantees confident and comfortable usability from day one.

Open and compatible

Romexis stores all patient 2D images in one centralised database – from X-ray images to photos and even videos. All images are available in the network immediately and can always be exported in standard formats. Our integration with other systems allows you to freely utilise third-party product at your clinic. TWAIN support and DICOM standard compliance ensure that software can be used with most systems.



Integrated document management

With Romexis, it is easy to create professional, high-quality printouts and radiology reports to be sent to referring dentists – with multi-page support included. Documents of any type can be attached to patient files, ensuring convenient storage for cephalometric tracing reports, referral letters, and other relevant information.

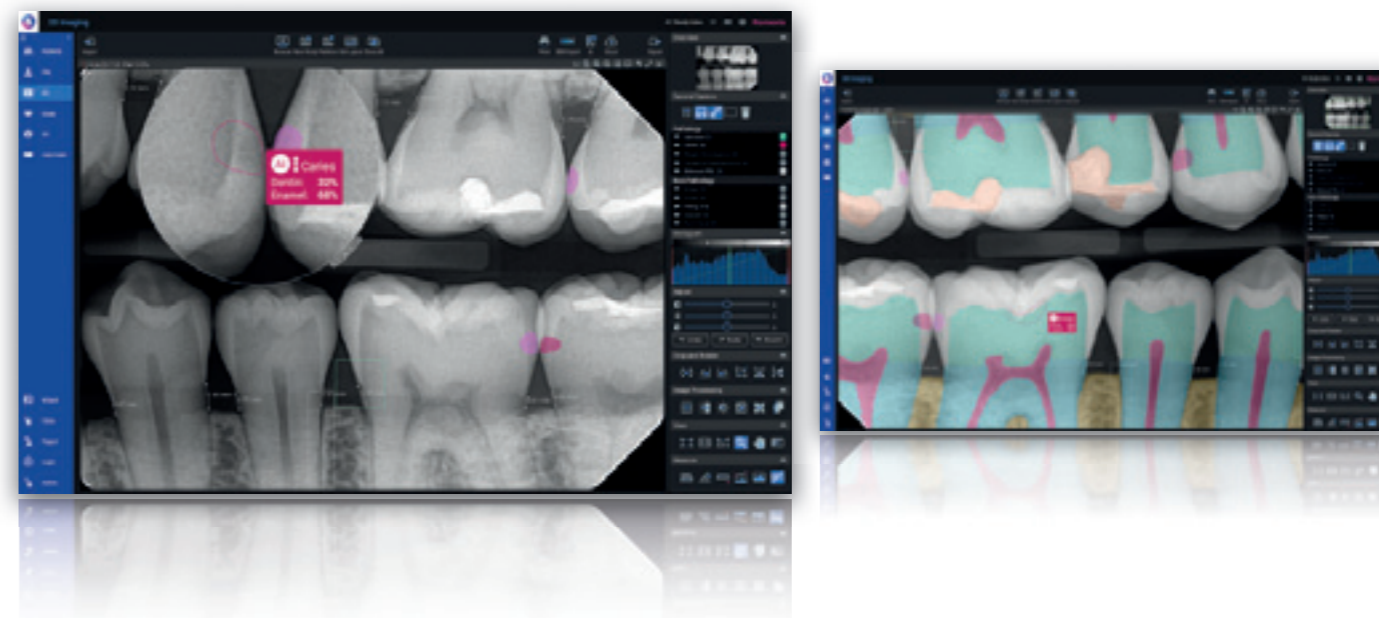


Advanced implant planning

Romexis provides powerful tools for implant planning, including realistic implant models from over 130 manufacturers. You can find the constantly growing list of all the implants included in the implant library at planmeca.com/Romexisimplantlibrary.

Seamless AI integration

Second Opinion® is a radiologic detection aid service provided by Pearl Inc. Second Opinion helps to identify suspected pathological dental findings, such as caries, bone loss, calculus, periapical radiolucency and widened periodontal ligaments, as well as several non-pathological findings. The seamless integration with Romexis allows Romexis users to receive AI detections created by the service directly in Romexis, where the detections can be viewed and stored together with the images.



Share images and expertise online

Planmeca Romexis® Cloud is a secure image transfer service for Planmeca Romexis® users and their partners for sending image and patient data to any specialist, dental lab or patient. You can share images and expertise securely with all partners who use Planmeca Romexis, the free Planmeca Romexis® Viewer, the free Planmeca Romexis® LabApp or the Planmeca mRomexis™ mobile tablet application.

Romexis® Cloud – versatile possibilities for communication

- External applications, DVDs and insecure file transfers are history – images can be sent directly from Planmeca Romexis®
- Share images and data with your dental partners and patients
- The Romexis software and Planmeca Romexis® Cloud subscriptions are required to send new cases – recipients only need an e-mail account at minimum

Key features

Transfer any type of information

- Images: 2D, 3D, STL
- Referrals and interpretations
- Treatment plans

Flexible sending options enable easy communication with all parties

- From Romexis to Romexis
- From Romexis to Romexis LabApp
- From Romexis to email
 - Optionally include the free Romexis Viewer for the easy viewing of images by anyone
- From Romexis to Planmeca mRomexis

Visit online.planmeca.com to subscribe and start sending images now.

IMAGING WORKFLOW



Planmeca equipment owner

- Romexis software
- Romexis Cloud subscription

General practice, specialist, radiologist

- Free Romexis Viewer application or Romexis

CAD/CAM WORKFLOW



General practice

- Romexis software
- Romexis Cloud subscription

Dental lab

- Free Romexis LabApp application

Increased flexibility with Planmeca mRomexis™ tablet application

Use our fast, easy, and light Planmeca mRomexis™ mobile imaging application to view all your images in the Planmeca Romexis database on a local network, or to carry images with you on your tablet device. You can also use the application to take photos with the tablet camera.

Download the Planmeca mRomexis application for iOS and Android from the [App Store](#) or [Google Play](#).



Planmeca mRomexis™

View images with free Romexis® Viewer application

Planmeca Romexis® Viewer is a free application that can be exported and sent together with images from Romexis.

- Full-featured viewer application for 2D and 3D images
- No installation required
- Mac and Windows support
- Distribute to specialists or patients

Visit planmeca.com/Viewer for downloading Planmeca Romexis Viewer application.



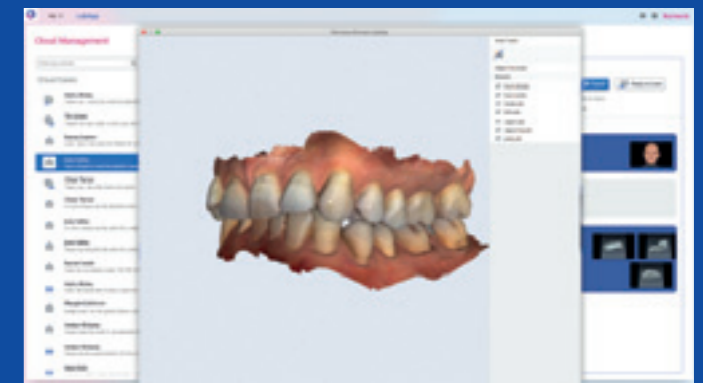
Planmeca Romexis® Viewer

Dental lab communication with free Romexis® LabApp application

Planmeca Romexis® LabApp is a free application designed for dental laboratories to allow easy communication with dental clinics. It is designed especially for receiving intraoral scans but can be used for all types of image data. It uses Romexis Cloud as transfer service providing secure transfer of patient data.

- Receiving STL files, PLY scans, DICOM images, photos and PDF files from Planmeca Romexis users
- Instant viewing of STL and PLY files for checking
- Exporting all case data to a 3rd party dental CAD/CAM system
- Messaging between the lab and the clinic using the built-in case messaging

Visit online.planmeca.com for downloading the Planmeca Romexis LabApp application.



Planmeca Romexis® LabApp

Optimised equipment usage with Planmeca Insights™

Take clinic efficiency to the next level with actionable data and intelligence from your fleet of Planmeca equipment. From single devices to multi-site group practices, Planmeca Insights™ offers real-time information about device states, usage, and maintenance needs.

Better planning, training, and decision-making

Extensive device data can be used to confirm that your valuable equipment is maintained correctly and in line with agreed practice. Additionally, detailed usage information offers insight into how and when devices are being used for more informed decision-making. Device-specific cleaning protocols can be monitored through the platform. Data can also be compared across multiple locations for improved clinic management and optimised workflows.

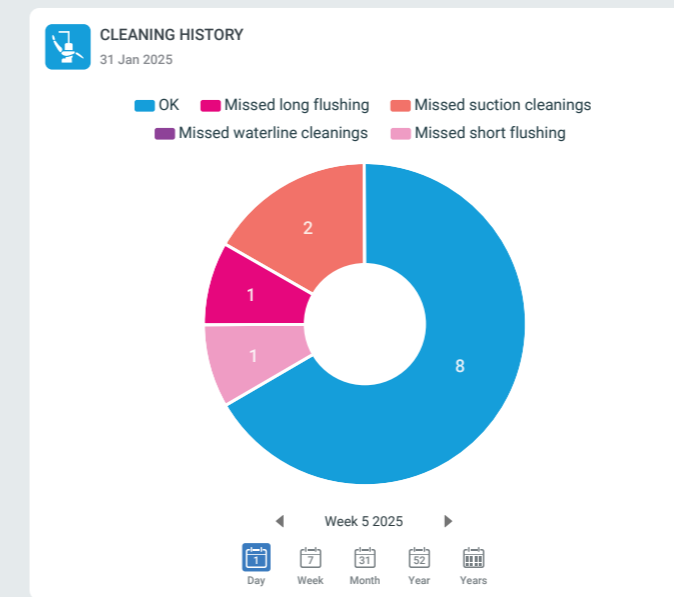
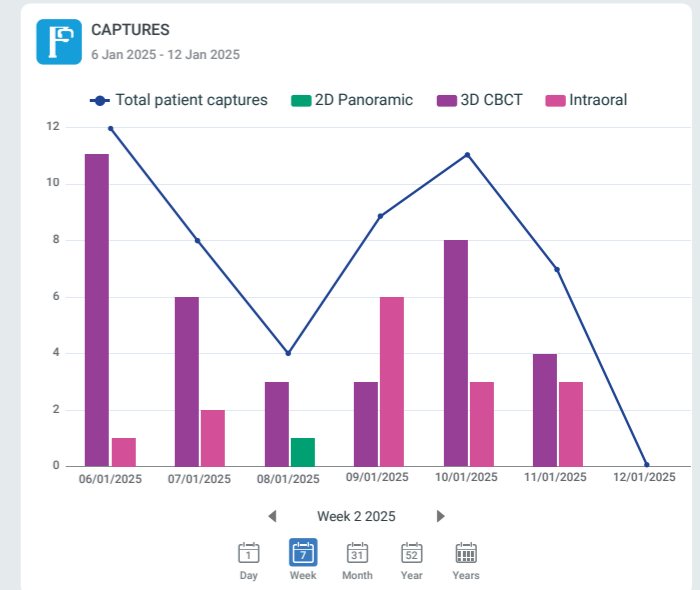


Minimise device downtime

Automated messages on device states or issues encountered can be programmed to notify the right people, such as maintenance personnel. Individual device data can be used to optimise maintenance times and address problems – even before they happen. When necessary, device logs can be used for more detailed analysis of device operation.

Planmeca Insights™ supports Planmeca devices comprehensively, including all Planmeca Viso®, Planmeca ProMax®, and Planmeca ProOne® imaging units as well as the Planmeca ProX™ and Planmeca ProSensor® HD X-ray devices. Use Planmeca Insights to e.g.:

- See current device states and activity
- Access summaries and drill down on help and error messages
- Examine imaging workflows or view usage summaries from specific time periods
- Download log files for individual devices
- Examine imaging parameters and dosage information for specific imaging sessions



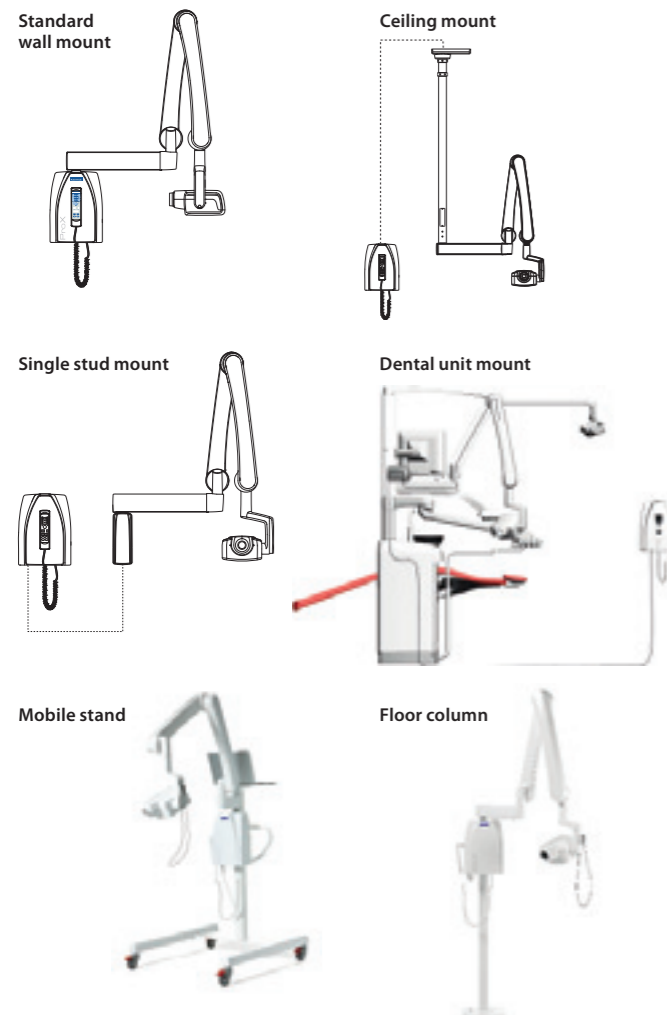
Planmeca ProX™

Technical data

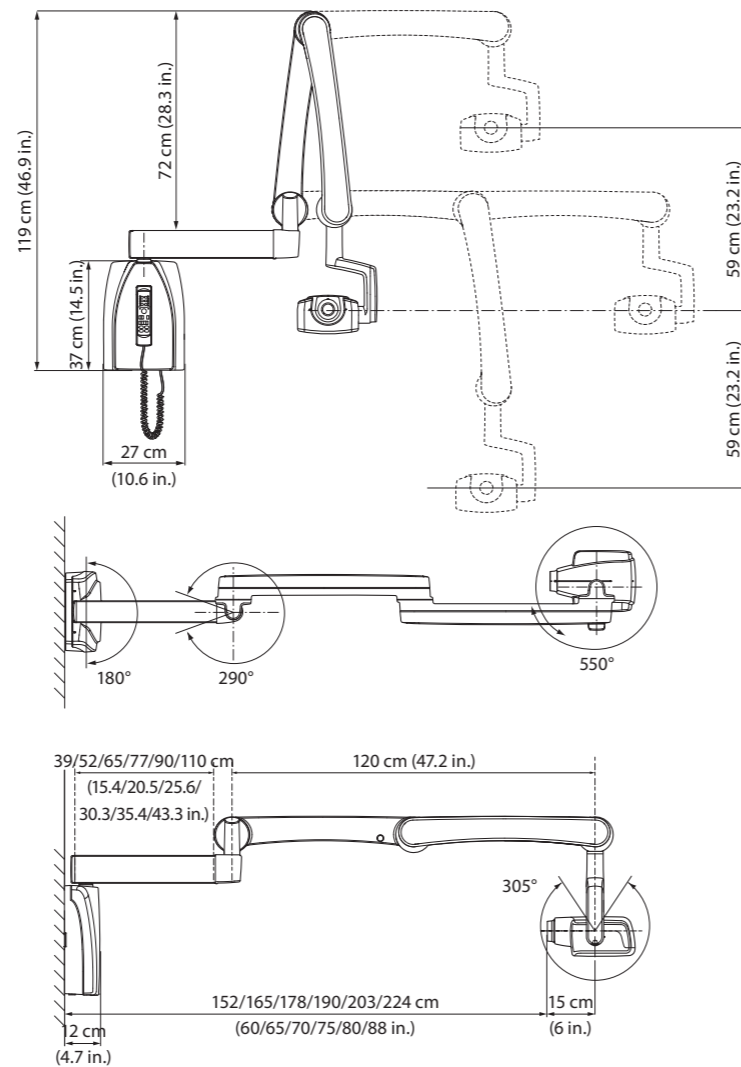
Planmeca ProX	
Generator	Constant potential, microprocessor controlled, operating frequency 66 kHz
X-ray tube	Toshiba D-0415B
Focal spot size	0.4 mm according to IEC 60336
Cone diameter	60 mm (2.36 in.) Rectangular 36 x 45 mm (1.42 x 1.77 in.)
Max. symmetrical radiation field	Ø60 mm at SSD 200 mm Ø60 mm at SSD 300 mm according to IEC 806
Total filtration	min. 2.5 mm Al equivalent at 70 kV according to IEC 60522
Inherent filtration	1 mm Al equivalent at 70 kV according to IEC 60522
Anode voltage	60, 63, 66, 70 kV
Anode current	8, 7, 6, 5, 4, 3, 2 mA
Exposure times	0.01–2 sec., 24 steps
SSD (Source-Skin Distance) Standard/Long	200 mm (8 in.)/300 mm (12 in.)
Mains voltage	100 V~/110-115 V~/220-240 V~, 50/60 Hz
Duty cycle	1:13.5
Electrical classification	Class I Type B
Weight	total 29 kg (64 lbs) tube head with standard cone 4.2 kg (9.3 lbs) tube head with long cone 4.5 kg (10 lbs)
Colour	White (RAL 9016)

Planmeca Oy
CE 0598 MD Planmeca ProX

Installation options



Dimensions



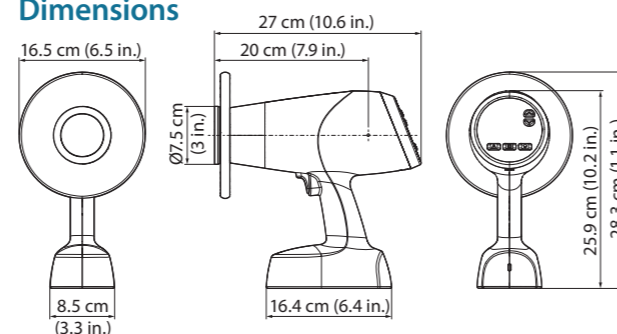
Planmeca ProX™ GO

Technical data

Planmeca ProX™ GO	
Tube voltage	70 kV (fixed)
Tube current	3 mA (fixed)
Exposure time	0.02–0.5 s
X-ray tube	OX/70-3 (C.E.I.)
Focal spot	0.3 mm
Duty cycle	1:60
SSD (Source-Skin Distance)	200 mm (8 in.)
Cone diameter	Ø 60 mm at SID 200 mm, rectangular 20 x 30 mm or 30 x 40 mm
Total filtration	1.5 mm Al
Weight	2.18 kg (4.81 lbs)
Battery type	Li-polymer
Battery capacity	300 exposures with full charge

Ecotron Co., Ltd.
Planmeca ProX GO is not commercially available for sale in Europe

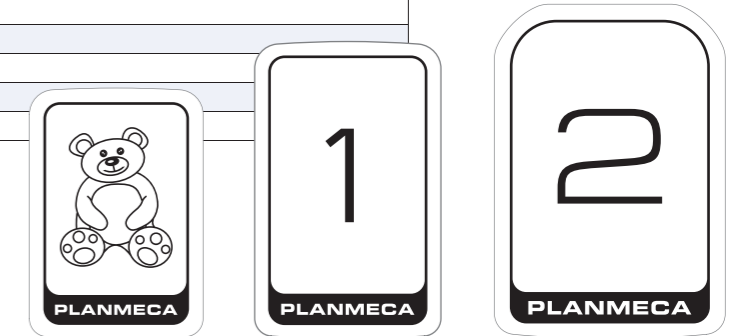
Dimensions



Planmeca ProSensor® HD

	Size 0	Size 1	Size 2
Sensor size	33.6 x 23.4 mm (1.33 x 0.92 in.)	39.7 x 25.1 mm (1.56 x 0.99 in.)	44.1 x 30.4 mm (1.76 x 1.2 in.)
Active area	25.5 x 18.9 mm (1.0 x 0.74 in.)	30.6 x 20.7 mm (1.20 x 0.81 in.)	36 x 26.1 mm (1.42 x 1.03 in.)
Number of pixels, normal	850 x 629 px	1020 x 690 px	1200 x 870 px
Number of pixels, high	1700 x 1258 px	2040 x 1380 px	2400 x 1740 px
Pixel size, normal	30 µm x 30 µm		
Pixel size, high	15 µm x 15 µm		
Theoretical resolution	33 lp/mm		
Resolution, normal	17 lp/mm		
Resolution, high	>20 lp/mm		
Interface	USB or Ethernet		
View delay	<5 sec.		

Planmeca Oy
CE 0598 MD Planmeca ProSensor HD



Planmeca ProScanner® 2.0

	Size 0	Size 1	Size 2
Imaging plate size	35 x 22 mm (1.38 x 0.87 in.)	40 x 24 mm (1.57 x 0.94 in.)	41 x 31 mm (1.61 x 1.22 in.)
Pixel size	30 µm		
True resolution	12 lp/mm		
Theoretical resolution	16.7 lp/mm		
Bits per pixel / Gray scale	16 bit / 65538		
Weight	4 kg (8.8 lbs)		
Dimensions (H x W x D)	231 x 167 x 216 mm (9.1 x 6.6 x 8.5 in.)		
Connection	Ethernet RJ45		
Operating voltage	100–240 VAC, 50/60 Hz		
Interfaces	Network		
Eraser	Embedded		

DÜRR DENTAL SE
CE MD Planmeca ProScanner 2.0



Planmeca Romexis® imaging software

See Romexis specifications and compatibility:
planmeca.com/software/specifications



Planmeca Oy
CE 0598 MD Planmeca Romexis

Find all the latest Planmeca news



www.facebook.com/PlanmecaOy



www.instagram.com/planmeca_official



www.planmeca.com/newsroom



Planmeca Oy designs and manufactures a full line of industry-leading dental equipment, including 3D and 2D imaging devices, CAD/CAM solutions, dental care units and software. Planmeca Oy, the parent company of the Finnish Planmeca Group, is strongly committed to better care through innovation, and it is the largest privately held company in the field.

Follow us on social media!



PLANMECA

Asentajankatu 6 | 00880 Helsinki | Finland | tel. +358 20 7795 500 | fax +358 20 7795 555 | sales@planmeca.com | www.planmeca.com

Images may contain optional items not included in standard delivery. Available configurations and features may have country or area specific variations. Some products displayed above may not be available in all countries or areas. Rights for changes reserved.

Planmeca, All in one, Anatomic Plus, Cobra, Comfy, Digital perfection, Economat Plus, Elegant, Flexy, Perio Fresh, PlanEasyMill, Planmeca 4D, Planmeca AINO, Planmeca ARA, Planmeca CAD/CAM, Planmeca CALM, Planmeca Curiosity, Planmeca Chair, Planmeca Clarify, Planmeca Compact, Planmeca ConBo, Planmeca CORE, Planmeca Creo, Planmeca Emerald, Planmeca FIT, Planmeca Imprex, Planmeca Intra, Planmeca iRomexis, Planmeca Lumion, Planmeca Lumo, Planmeca Maximity, Planmeca Minea, Planmeca Minendo, Planmeca Minetto, Planmeca mRomexis, Planmeca Noma, Planmeca Olo, Planmeca Online, Planmeca Piezon, Planmeca PlanCAD, Planmeca PlanCAM, Planmeca PlanClear, Planmeca PlanDesk, Planmeca PlanID, Planmeca PlanMill, Planmeca Planosil, Planmeca PlanPure, Planmeca PlanScan, Planmeca PlanView, Planmeca Pro50, Planmeca ProCeph, Planmeca ProFace, Planmeca ProID, Planmeca ProMax, Planmeca ProModel, Planmeca ProOne, Planmeca ProScanner, Planmeca ProSensor, Planmeca ProX, Planmeca Romexis, Planmeca Serenus, Planmeca SingLED, Planmeca SmartGUI, Planmeca Solanna, Planmeca Sovereign, Planmeca Ultra Low Dose, Planmeca Verity, Planmeca Vision, Planmeca Viso, Planmeca Waterline Cleaning System, Planmeca Xtremity, Proline Dental Stool, ProTouch, SmartPan, SmartTouch, Trendy, and Ultra Relax are registered or non-registered trademarks of Planmeca in various countries.

10032800/0325/en