

Cone Beam 3D Imaging
NewTom
what's next



Making Your Life Better.

BU Medical Equipment

Sede legale ed amministrativa
Headquarters

CEFLA s.c.
Via Selice Provinciale 23/a ▪ 40026 Imola ▪ Italy
t. +39 045 8202727 ▪ 045 583500
info@newtom.it

**Stabilimento
Plant**

Via Bicocca, 14/c
40026 Imola ▪ Bo (Italy)
tel. +39 0542 653441
fax +39 0542 653601

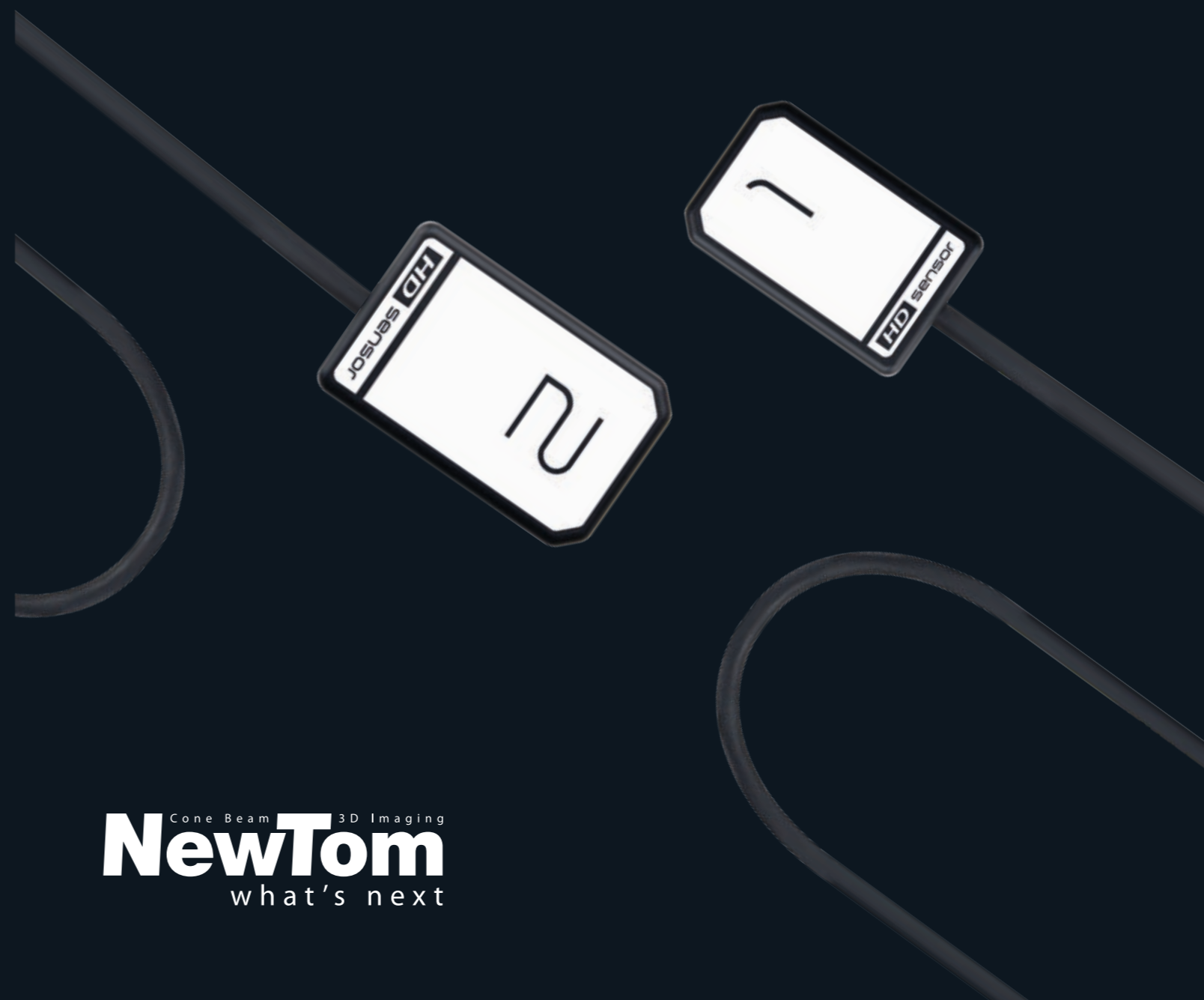
newtom.it



01/2024 NXV5GBZ415000
According to the standards in force, in extra-EU areas the availability and specifications of some products and/or characteristics may vary. Please contact your local distributor for further information. Pictures are for illustration purposes only.

NewTom X-VS IMMEDIATE.VISION

INTRAORAL SENSOR



Cone Beam 3D Imaging
NewTom
what's next

TECHNICAL SPECIFICATIONS.

X-VS SENSOR	SIZE 1 – STANDARD	SIZE 2 – LARGE
Outside dimensions (mm)	38.9 x 24.9	41.9 x 30.4
Thickness (mm)	5.3	5.7
Pixel matrix	1500 x 1000	1700 x 1300
Pixel size (µm)	20	20
Max. resolution (lp/mm)	25	25
Grey level depth	14 bit acquisition - 16,384 maximum levels of grey	
Scintillator technology	CsI (Caesium Iodide) with micro-columnar structure	
Direct exposure protection	FOP (Fibre Optic Plate)	
Degree of Case protection	IP67 (Guaranteed against liquid or dust infiltration)	
Compatibility with X-ray generators	Any AC or DC technology X-ray generator with values in the 60 – 70 kV and 1-8 mA range and precision control of exposure times	

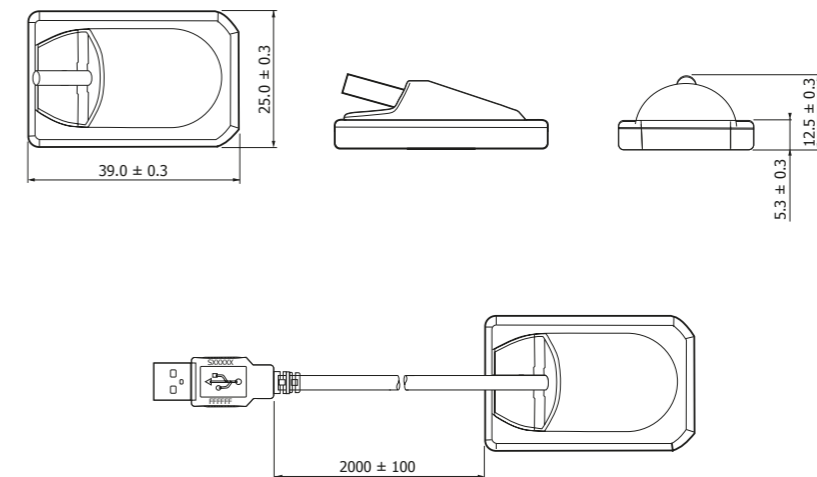
X- VS SOFTWARE

Acquisition software (for PC)	iCapture with dedicated X-VS image third-party software and for automatic filing of RX DC exposure parameters on PC
Image management software (for PC)	NNT (compliant with ISDP®10003:2020 in accordance with EN ISO/IEC17065:2012 - certificate number 2019003109-2) and iPad NNT viewer App (free)
Protocols supported in NNT	DICOM 3.0, TWAIN, VDDS
DICOM Node Connectivity	IHE compliant (Print; Storage Commitment, SR document; WorkList; MPPS; Query/Retrieve)
X-ray log	NNT feature to associate exposure parameters with the X-ray images of each examination (exportable in PDF or CSV format)

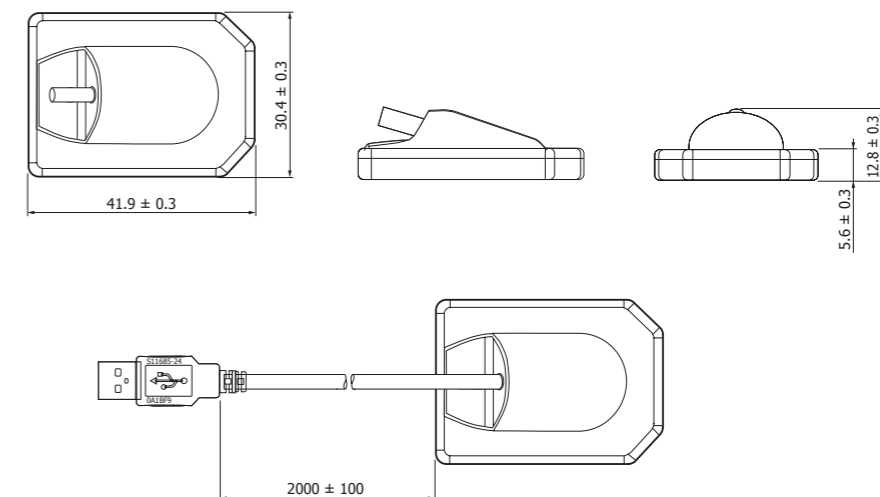
X-VS MINIMUM SYSTEM REQUIREMENTS

Supported operating systems	Microsoft® Windows® 10. 11 Professional 64 bit
Processor	Intel Core i3 or higher
RAM	4 GB (8 GB recommended)
Graphics card	Discrete 3D Video Card or integrated GPU
Display settings	1280 x 1024; 1344 x 768 or higher, 16 million colours
Port	USB 2.0 or later versions
Power supply	Use a power supply with suitable power for the video board in use

X-VS - 1



X-VS - 2



NOT available in USA and CANADA
Specifications subject to change without prior notice.

Dimensions in centimetres
(dimensions in inches)



0051